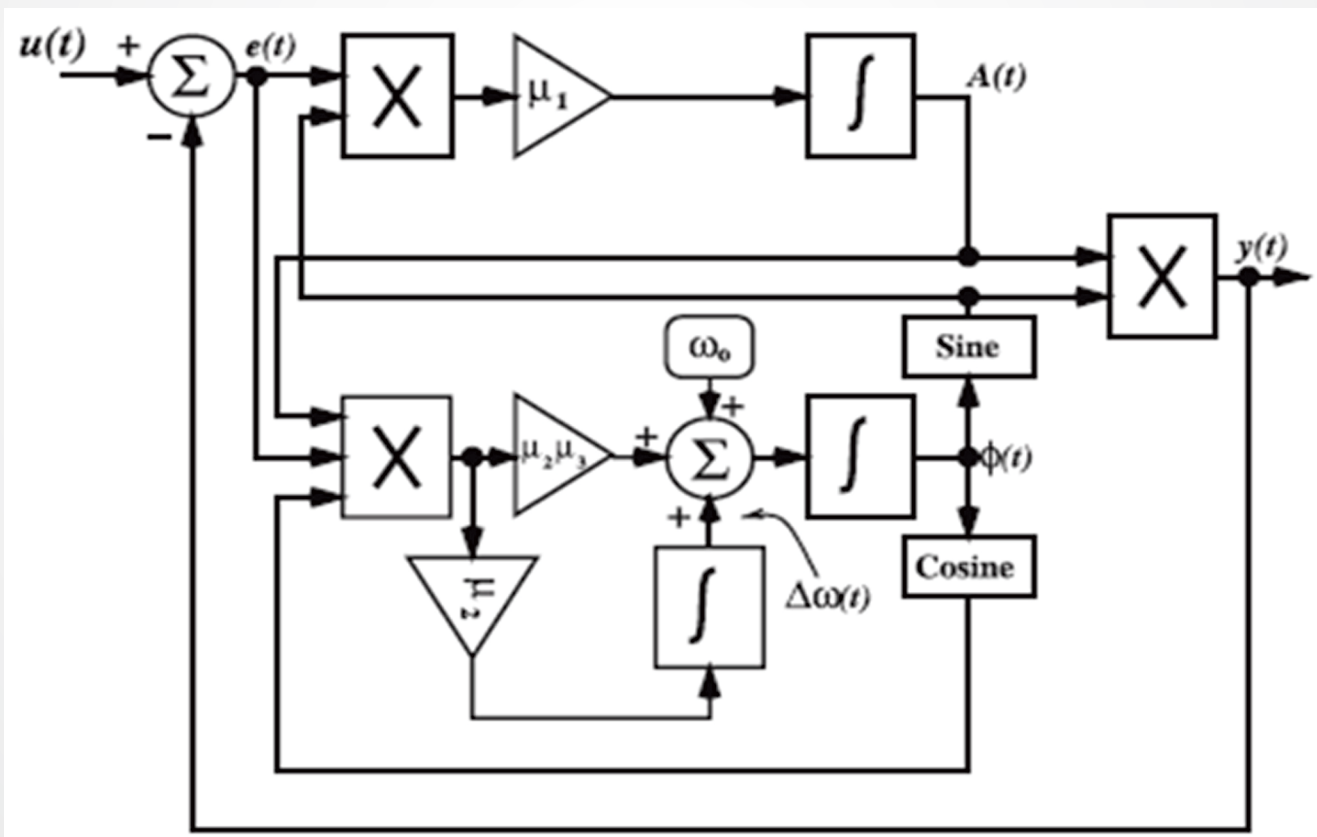
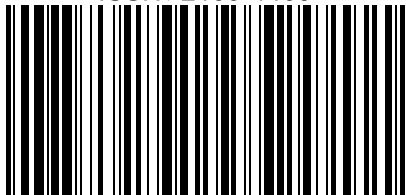




Journal of Signal and Information Processing



ISSN: 2159-4465



977215944650403B

International Conference on Signal and Image Processing (CSIP 2013) Conference Program Committee

TPC

| | |
|------------------------|---|
| Dr. WAI LOK WOO | Newcastle University, UK |
| Dr. Hongjiang Song | Arizona State University, USA |
| Prof. Soura Dasgupta | University of Iowa, USA |
| Dr. Shi Cheng | Silicon Image Inc., USA |
| Dr. Alexander Petukhov | University of Georgia Athens, USA |
| Prof. Mu-Chun Su | National Central University, Chinese Taipei |
| Prof. Byung-Gyu Kim | Sunmoon University, Korea (South) |
| Prof. Choi Jaeho | Chonbuk National University, Korea (South) |
| Prof. Yong Hu | The University of Hong Kong, China |
| Prof. Zeyun Yu | University of Wisconsin-Milwaukee, USA |
| Dr. Kamran Arshad | University of Greenwich, UK |
| Prof. Marco Scaioni | Tongji University, China |

TABLE OF CONTENTS

Volume 4 Number 3B

August 2013

Applying Score Reliability Fusion to Bi-Model Emotional Speaker Recognition

H. B. Zhang, T. Wang, T. Huang, X. Yang.....1

Xilinx System Generator® Based Implementation of a Novel Method of Extraction of Nonstationary Sinusoids

M. Abubakar, A. Aziz, P. Akhtar.....7

SAR Imaging of Moving Target Based on Quadratic Phase Function

C. Wang, S. B. Li.....14

Environmental Sound Recognition Using Double-Level Energy Detection

X. X. Zhang, Y. Li.....19

Semi-Rigid Registration of 3D Points

B. W. Lin, K. Sakai, T. Tamaki, B. Raytchev, K. Kaneda, K. Ichii.....25

Research on Motion Attention Fusion Model-Based Video Target Detection and Extraction of Global Motion Scene

L. Liu, B. Y. Fan, J. Zhao.....30

Liver Segmentation from CT Image Using Fuzzy Clustering and Level Set

X. C. Li, S. H. Luo, J. M. Li.....36

Color Texture Image Inpainting Using the Non Local CTV Model

J. M. Duan, Z. K. Pan, W. Q. Liu, X.-C. Tai.....43

Template Matching using Statistical Model and Parametric Template for Multi-Template

C.-S. Chen, J.-J. Huang, C.-L. Huang.....52

Performance Comparison of Three Algorithms Applied to UM2000 Signal Demodulation

Z. C. Qiao, F. P. Wang.....58

Combining Multiple Cues for Pedestrian Detection in Crowded Situations

S.-S. Huang, F.-C. Chang, C.-H. Lu.....62

Fuzzy C Mean Thresholding based Level Set for Automated Segmentation of Skin Lesions

A. Masood, A. A. Al-Jumaily.....66

A Study of Motor Bearing Fault Diagnosis using Modulation Signal Bispectrum Analysis of Motor Current Signals

A. Alwodai, T. Wang, Z. Chen, F. S. Gu, R. Cattley, A. Ball.....72

| | |
|--|-----|
| Computer Tomography and Ultrasonography Image Registration Based on the Cooperation of GPU and CPU | |
| Y.-C. Lin, C.-L. Huang, C.-S. Chen, W.-C. Chang, Y.-J. Chen, C.-Y. Liu..... | 80 |
| Combined Dictionary Learning in Facial Expression Recognition | |
| Z. Y. Zhang, K. Raahemifar..... | 86 |
| Optimal Design for MIMO Relay System | |
| F. N. Chen..... | 91 |
| Holographic Microwave Imaging Array for Brain Stroke Detection | |
| L. L. Wang, A. M. Al-Jumaily, R. Simpkin..... | 96 |
| Segmenting Salient Objects in 3D Point Clouds of Indoor Scenes Using Geodesic Distances | |
| S. Bhatia, S. K. Chalup..... | 102 |
| Image Processing Techniques in Shockwave Detection and Modeling | |
| S. X. Cui, Y. H. Wang, X. Q. Qian, Z. T. Deng..... | 109 |
| Corner-Based Image Alignment using Pyramid Structure with Gradient Vector Similarity | |
| C.-S. Chen, K.-Y. Peng, C.-L. Huang, C.-W. Yeh..... | 114 |
| Discrete Entropic Uncertainty Relations Associated with FRFT | |
| G. L. Xu, X. T. Wang, L. J. Zhou, L. M. Shao, X. G. Xu..... | 120 |
| Robust Low-Power Algorithm for Random Sensing Matrix for Wireless ECG Systems Based on Low Sampling-Rate Approach | |
| M. Balouchestani, K. Raahemifar, S. Krishnan..... | 125 |
| A Transient Enhancement Method for Two-Stage Helicopter Gearbox Fault Diagnosis Based on ALE | |
| X. G. Tian, T. Wang, Z. Chen, F. S. Gu, A. Ball..... | 132 |
| Frequency Synchronization in OFDM System | |
| C. G. Priya, A. M. Vasumathi..... | 138 |
| New Approach in Processing of the Infrared Image Sequence for Moving Dim Point Targets Detection | |
| A. M. Mohamed, H. Z. Li..... | 144 |
| Local Orientation Field Based Nonlocal Means Method for Fingerprint Image De-Noising | |
| J. Zou, J. B. Feng, X. M. Zhang, M. Y. Ding..... | 150 |
| Face Recognition Using Chain Codes | |
| N. B. Boodoo-Jahangeer, S. Baichoo..... | 154 |
| Restricted Hysteresis Reduce Redundancy in Edge Detection | |
| B. Li, U. Söderström, S. Ur Réhman, H. B. Li..... | 158 |
| Comparison of Wavelet Types and Thresholding Methods on Wavelet Based Denoising of Heart Sounds | |
| B. Ergen..... | 164 |

A Real Time Mosaic Method for Remote Sensing Video Images from UAV

Y. Yang, G. M. Sun, D. Q. Zhao, B. Peng.....168

An Overview of Principle Component Analysis

S. Karamizadeh, S. M. Abdullah, A. A. Manaf, M. Zamani, A. Hooman.....173

Study of Symmetry Process Behavior in Fractal Gray Image Compression by Traditional Method

E. A. Al-Hilo, K. H. Al-Khafaji.....176

Journal of Signal and Information Processing (JSIP)

Journal Information

SUBSCRIPTIONS

The *Journal of Signal and Information Processing* (Online at Scientific Research Publishing, www.SciRP.org) is published quarterly by Scientific Research Publishing, Inc., USA.

Subscription rates:

Print: \$59 per issue.

To subscribe, please contact Journals Subscriptions Department, E-mail: sub@scirp.org

SERVICES

Advertisements

Advertisement Sales Department, E-mail: service@scirp.org

Reprints (minimum quantity 100 copies)

Reprints Co-ordinator, Scientific Research Publishing, Inc., USA.

E-mail: sub@scirp.org

COPYRIGHT

Copyright©2013 Scientific Research Publishing, Inc.

All Rights Reserved. No part of this publication may be reproduced, stored in a retrieval system, or transmitted, in any form or by any means, electronic, mechanical, photocopying, recording, scanning or otherwise, except as described below, without the permission in writing of the Publisher.

Copying of articles is not permitted except for personal and internal use, to the extent permitted by national copyright law, or under the terms of a license issued by the national Reproduction Rights Organization.

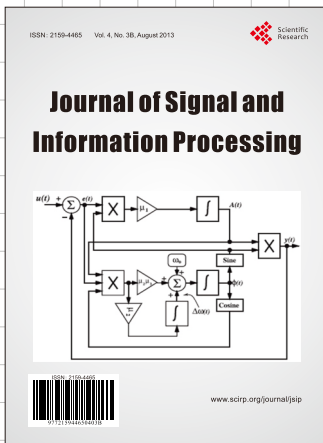
Requests for permission for other kinds of copying, such as copying for general distribution, for advertising or promotional purposes, for creating new collective works or for resale, and other enquiries should be addressed to the Publisher.

Statements and opinions expressed in the articles and communications are those of the individual contributors and not the statements and opinion of Scientific Research Publishing, Inc. We assume no responsibility or liability for any damage or injury to persons or property arising out of the use of any materials, instructions, methods or ideas contained herein. We expressly disclaim any implied warranties of merchantability or fitness for a particular purpose. If expert assistance is required, the services of a competent professional person should be sought.

PRODUCTION INFORMATION

For manuscripts that have been accepted for publication, please contact:

E-mail: jsip@scirp.org



Journal of Signal and Information Processing

<http://www.scirp.org/journal/jsip>

JSIP, a quarterly journal, dedicated to the latest advancement of signal and information processing. The goal of this journal is to keep a record of the state-of-the-art research and promote the research work in the areas.

Editor-in-Chief

Prof. Baozong Yuan

Beijing Jiaotong University, China

Executive Editor-in-Chief

Prof. Qiuqi Ruan

Beijing Jiaotong University, China

Subject Coverage

This journal invites original research and review papers that address the following issues in signal and information processing. Topics of interest are (but not limited to):

- ★Adaptive Filtering and Signal Processing
- ★Array Signal Processing
- ★Artificial Intelligence and Neural Networks
- ★Biometrics and Authentication
- ★Chaos Theory in EEG Brain Signals
- ★Chaos Theory in MEG Brain Signals
- ★Communication Signal Processing
- ★Compressive Signal Processing and Sensing
- ★Computer Vision and Virtual Reality
- ★Digital Signal Processing (DSP)
- ★Fuzzy System (including Fuzzy Control)
- ★Hardware Implementation for Signal Processing
- ★Higher Order Spectral Analysis
- ★Image Processing and Understanding
- ★Information Fusion and Its Application
- ★MEG Signals Processing in Biomedical Research
- ★Multimedia and Human-Computer Interaction
- ★Non-Stationary Signal Analysis and Time-Frequency Analysis
- ★Optical Signal Processing, Pattern Recognition
- ★PDE for Image Processing
- ★Radar Signal Processing
- ★Signal Application and Others
- ★Signal Processing for Bio-Informatics
- ★Signal Processing for Bio-Medical and Cognitive Science
- ★Signal Processing for Cognitive Radio
- ★Signal Processing for Internet, Wireless and Communications
- ★Signal Processing for Security
- ★Signal Processing for Sensor Networks
- ★Sonar Signal Processing and Localization
- ★Sparse Transform and Compressed Sensing
- ★Spectrum Estimation and Modeling
- ★Speech and Audio Coding
- ★Speech Synthesis and Recognition
- ★Statistic Learning, Machine Learning and Pattern Recognition
- ★Statistical Analysis of Brain Signals after Transcranial Magnetic Stimulation
- ★TF Spectrum Analysis and Wavelet
- ★Video Compression and Streaming

We are also interested in short papers (letters) that clearly address a specific problem, and short survey or position papers that sketch the results or problems on a specific topic. Authors of selected short papers would be invited to write a regular paper on the same topic for future issues of the JSIP.

Notes for Intending Authors

Submitted papers should not have been previously published nor be currently under consideration for publication elsewhere. Paper submission will be handled electronically through the website. All papers are refereed through a peer review process. For more details about the submissions, please access the website.

Website and E-Mail

<http://www.scirp.org/journal/jsip>

Email: jsip@scirp.org

What is SCIRP?

Scientific Research Publishing (SCIRP) is one of the largest Open Access journal publishers. It is currently publishing more than 200 open access, online, peer-reviewed journals covering a wide range of academic disciplines. SCIRP serves the worldwide academic communities and contributes to the progress and application of science, by delivering superior scientific publications and scientific information solution provider that enable advancement in scientific research.

What is Open Access?

All original research papers published by SCIRP are made freely and permanently accessible online immediately upon publication. To be able to provide open access journals, SCIRP defrays operation costs from authors and subscription charges only for its printed version. Open access publishing allows an immediate, world-wide, barrier-free, open access to the full text of research papers, which is in the best interests of the scientific community.

- High visibility for maximum global exposure with open access publishing model
- Rigorous peer review of research papers
- Prompt faster publication with less cost
- Guaranteed targeted, multidisciplinary audience



**Scientific
Research**

Website: <http://www.scirp.org>

Subscription: sub@scirp.org

Advertisement: service@scirp.org