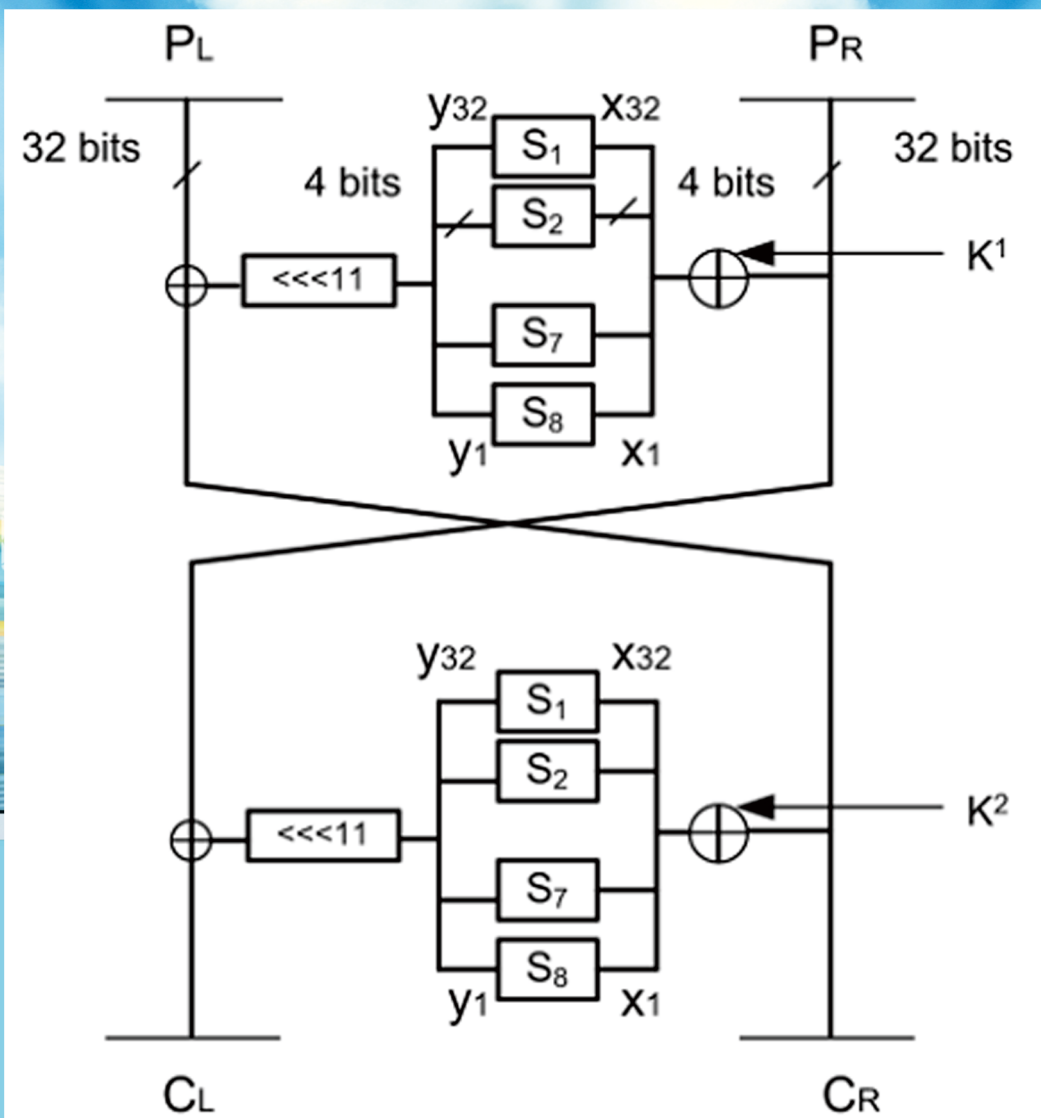


Journal of Computer and Communications



ISSN: 2327-5219



Table of Contents

Volume 2 Number 4

March 2014

Timing Attack Analysis on AA_6 Cryptosystem

A. H. A. Ghafar, M. R. K. Ariffin.....1

Algebraic Cryptanalysis of GOST Encryption Algorithm

L. Babenko, E. Maro.....10

Several Classes of Permutation Polynomials over Finite Fields

G. H. Sun.....18

Biometric-PKI Authentication System Using Fingerprint Minutiae

H.-U. Jang, H.-K. Lee.....25

Identity Authentication Based on Two-Beam Interference

W. Q. He, X. Peng.....31

A Novel Scheme for Deleting Group Members

J. P. Yao, X. S. Li, J. C. Ma.....39

Detection of the Single Image from DIBR Based on 3D Warping Trace and Edge Matching

D.-J. Jung, H.-K. Lee.....43

Video Inter-Frame Forgery Identification Based on Consistency of Correlation Coefficients of Gray Values

Q. Wang, Z. H. Li, Z. Z. Zhang, Q. L. Ma.....51

Fast Watermark Synchronization Based on Complementary Templates

J.-U. Hou, S.-K. Ji, H.-K. Lee.....58

The SMS Chaum Mix (Produces the Permission Block, and Copyright Information)

M. Rothmeyer, D. R. Thompson, M. Moccara.....66

A Low-Complexity Mobile Watermarking Scheme Resisting Scale Distortions

D.-K. Hyun, H.-K. Lee.....77

An Estimation Method for Relationship Strength in Weighted Social Network Graphs

X. Lin, T. Shang, J. W. Liu.....82

Investigation and Implementation of a PIC-Based Sensor Node for Wireless Sensor Networks

Ö. Özcan, M. Gündüz.....90

Application of Ant Colony Optimization for the Solution of 3 Dimensional Cuboid Structures

H. Eldem, E. Ülker.....99

Improved Artificial Bee Colony Algorithm for Continuous Optimization Problems

M. S. Kiran, A. Babalik.....108

Investigation Effects of Selection Mechanisms for Gravitational Search Algorithm	
O. Findik, M. S. Kiran, I. Babaoğlu.....	117
The Analysis of Peculiar Control Parameters of Artificial Bee Colony Algorithm on the Numerical Optimization Problems	
M. S. Kiran, M. Gündüz.....	127
Parameter Analysis on Fruit Fly Optimization Algorithm	
H. Iscan, M. Gunduz.....	137
Migrating Birds Optimization for Flow Shop Sequencing Problem	
V. Tongur, E. Ülker.....	142
Knowledge Discovering in Corporate Securities Fraud by Using Grammar Based Genetic Programming	
H.-B. Li, M.-L. Wong.....	148
Tagging Accuracy Analysis on Part-of-Speech Taggers	
S. Yumusak, E. Dogdu, H. Kodaz.....	157
CDV Index: A Validity Index for Better Clustering Quality Measurement	
J.-H. Yeh, F.-J. Joung, J.-C. Lin.....	163
Multi-Valued Neuron with Sigmoid Activation Function for Pattern Classification	
S.-F. Wu, Y.-S. Chiou, S.-J. Lee.....	172
A Web System for Choose Your Own Adventure	
Z. J. Wang, R. L. Barner.....	182
A Refinement of Extracting Approximate Symmetry Planes Based on Least Square	
J. Mao, H. Shioya.....	188
Weaknesses of a Dynamic ID Based Remote User Authentication Protocol for Multi-Server Environment	
R. Madhusudhan, A. Praveen.....	196
Improvement the Accuracy of Six Applied Classification Algorithms through Integrated Supervised and Unsupervised Learning Approach	
S. R. N. Kalhori, X.-J. Zeng.....	201
A Policy-Improving System for Adaptability to Dynamic Environments Using Mixture Probability and Clustering Distribution	
U. Phommasak, D. Kitakoshi, J. Mao, H. Shioya.....	210
On-Line Privacy Behavior: Using User Interfaces for Salient Factors	
T. Hughes-Roberts, E. Kani-Zabihi.....	220

Journal of Computer and Communications (JCC)

Journal Information

SUBSCRIPTIONS

The *Journal of Computer and Communications* (Online at Scientific Research Publishing, www.SciRP.org) is published monthly by Scientific Research Publishing, Inc., USA.

Subscription rates:

Print: \$39 per issue.

To subscribe, please contact Journals Subscriptions Department, E-mail: sub@scirp.org

SERVICES

Advertisements

Advertisement Sales Department, E-mail: service@scirp.org

Reprints (minimum quantity 100 copies)

Reprints Co-ordinator, Scientific Research Publishing, Inc., USA.

E-mail: sub@scirp.org

COPYRIGHT

COPYRIGHT AND REUSE RIGHTS FOR THE FRONT MATTER OF THE JOURNAL:

Copyright © 2014 by Scientific Research Publishing Inc.

This work is licensed under the Creative Commons Attribution International License (CC BY).

<http://creativecommons.org/licenses/by/4.0/>

COPYRIGHT FOR INDIVIDUAL PAPERS OF THE JOURNAL:

Copyright © 2014 by author(s) and Scientific Research Publishing Inc.

REUSE RIGHTS FOR INDIVIDUAL PAPERS:

Note: At SCIRP authors can choose between CC BY and CC BY-NC. Please consult each paper for its reuse rights.

DISCLAIMER OF LIABILITY

Statements and opinions expressed in the articles and communications are those of the individual contributors and not the statements and opinion of Scientific Research Publishing, Inc. We assume no responsibility or liability for any damage or injury to persons or property arising out of the use of any materials, instructions, methods or ideas contained herein. We expressly disclaim any implied warranties of merchantability or fitness for a particular purpose. If expert assistance is required, the services of a competent professional person should be sought.

PRODUCTION INFORMATION

For manuscripts that have been accepted for publication, please contact:

E-mail: jcc@scirp.org



Journal of Computer and Communications

ISSN: 2327-5219 (Print) ISSN: 2327-5227 (Online)

<http://www.scirp.org/journal/jcc>

Journal of Communications and Computers is an international journal dedicated to the latest advancement of communications and computers. The goal of this journal is to provide a platform for scientists and academicians all over the world to promote, share, and discuss various new issues and developments in different areas of computer and communications. All manuscripts must be prepared in English, and are subject to a rigorous and fair peer-review process. Accepted papers will immediately appear online followed by printed hard copy. The journal publishes original papers including but not limited to the following fields:

Subject Coverage

The journal publishes original papers including, but not limited to, the following subfields of anthropology:

- Artificial Intelligence
- Big Data Search and Mining
- Cloud Computing
- Communication Protocols
- Complex network models
- Computational Robotics
- Computer and Network Security
- Computer graphics and visualization
- Computer Vision
- Cooperative Communications
- Distributed computing
- Green networking
- Grid Computing
- High Performance Computing
- Image Processing
- Information and communication theory and algorithms
- Information and Communication: Security, Privacy, and Trust
- Information retrieval
- Mobile and Portable Communications Systems
- Mobile and Ubiquitous Networks
- Mobile Computing Systems
- Multimedia/Signal processing
- Network Modeling and Simulation
- Numerical Methods
- Online social network computing
- Optical Communications
- Self-Stabilization, Autonomic Computing
- Simulation/Analytical Evaluation of Communication Systems

We are also interested in: 1) Short Reports – 2-5 page papers where an author can either present an idea with theoretical background but has not yet completed the research needed for a complete paper or preliminary data; 2) Book Reviews – Comments and critiques.

Website and E-Mail

<http://www.scirp.org/journal/jcc>

E-mail: jcc@scirp.org

